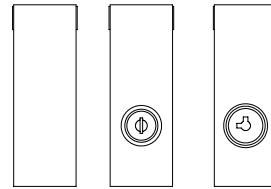
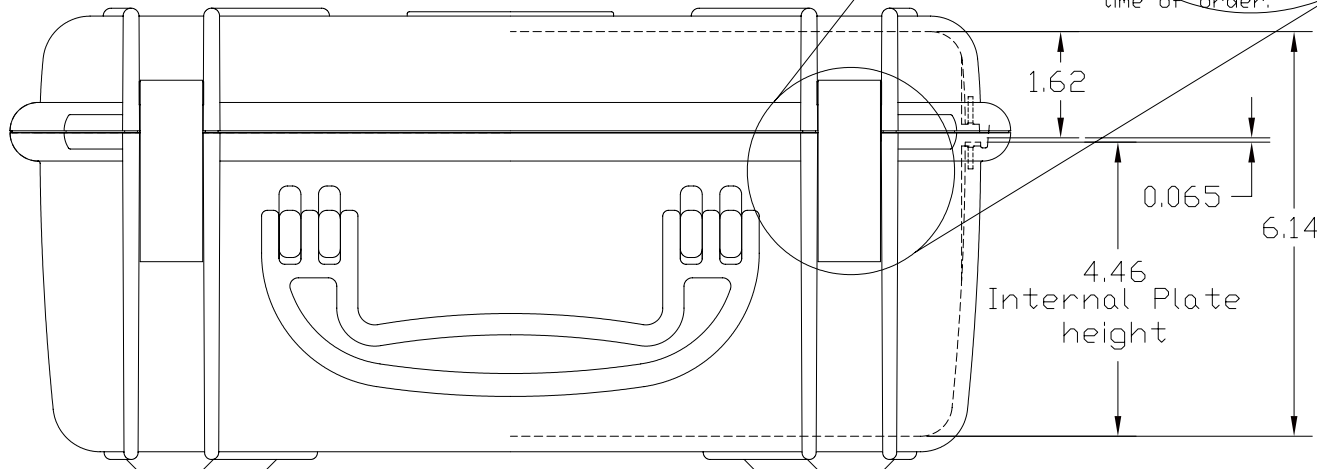


*Options for latches*



**STD MLL PLL**

Note:  
Must be specified at  
time of order.



Note:  
Max. usable inside dimensions are:  
13.72" X 10.07" X 6.14"  
dim. are aprox. (curved enclosure)

07-05-02

ALL DIMENSIONS ±.010